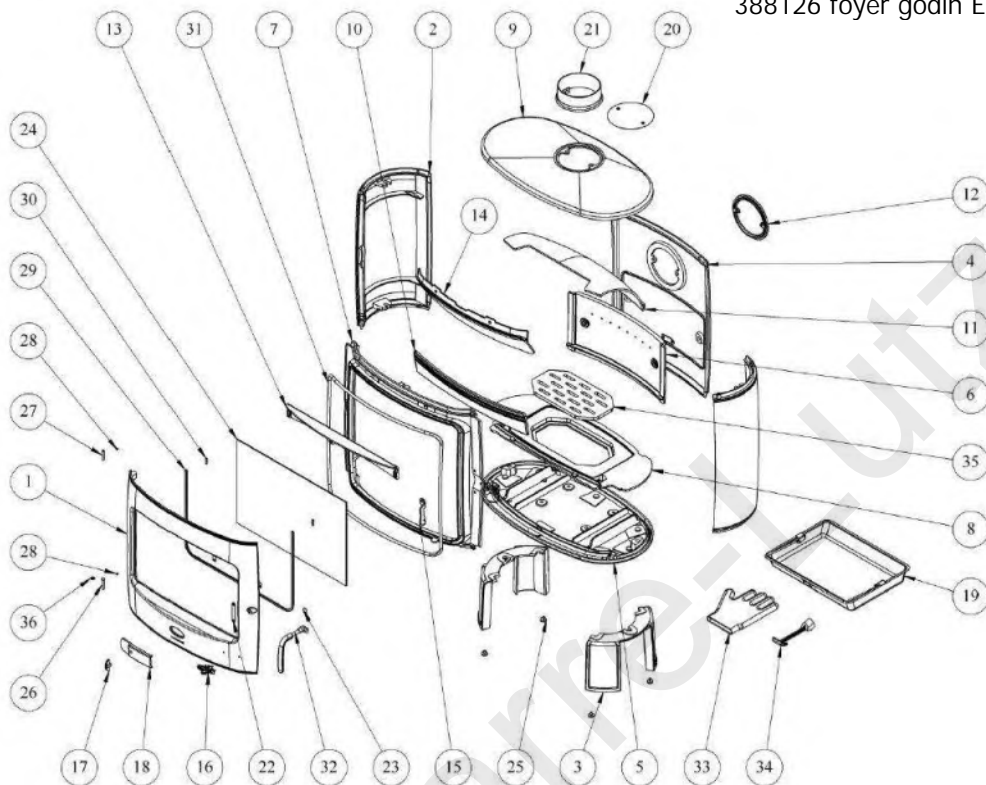


388126 foyer godin Ellip



Rep.	Référence	Description	Qté	Remarques
1	22831388118053	PORTE CHARGEMENT 388118 ANTH	1	
2	12317388119053	COTE 388119 ANTH	2	
3	12208388126053	PIED 388126 ANTH	2	
4	12401388118053	DERRIERE 388118 ANTH	1	C
5	22205388108053	FOND 388108 ANTH	1	
6	10160388108053	PLAQUE AR FOYER 388108 ANTH	1	U C
7	12101388108053	FACADE 388108 ANTH	1	C
8	20367388108053	SUPPORT FOYER 388108 ANTH	1	C
9	11101388108053	DESSUS 388108 ANTH	1	C
10	10306388108053	CHENET 388108 ANTH	1	U C
11	10131388108053	DEFLECTEUR 388108 ANTH	1	U C
12	11428388108053	TAMPON ROND 388108 ANTH	1	C
13	14173388108053	CONDUIT SUP.AIR 388108 ANTH	1	C
14	12175388108053	RENFORT FACADE 388108 ANTH	1	C
15	12729388108053	PLATINE VERROUILL 388108 ANTH	1	C
16	18501034400021	ECUSSON 034400 INOX BROSE	1	
17	18548369101053	INDEX 369101 GRIS ANTHRACITE	1	C
18	14137388108053	VOLET REGLAGE AIR 388108 ANTH	1	
19	13315326096	TIROIR CENDRES 3260 SOUD/POINT	1	U C
20	11431574353	TAMPON BUSE 5743 PP GRIS ANTH.	1	C
21	24312574301	BUSE RONDE A OREILLE 5743 EBAR	1	C
22	14175369101053	GUIDE DE SECURITE 369101 ANTH.	1	C
23	12071660101018	FIXE VITRE INF.660101 INOX	3	U C



# ELLIP

## 388126 - ELLIP

24	00001308394	VERRE EP4 350X530 (388108)	1	U	C
25	00001307127	VERIN A VIS TETE D20 M6 LG9	4		C
26	00001305507	RIVET ACIER TR D6 0 -0,2 LG 40	1		C
27	00001305127	GOUPILLE CANNELEE 6X40 ZN NOIR	1		C
28	00001304206	VIS HC M5X6 BOUT POINTU	2		C
29	00001304860	TRESSE VERRE D7 (THERMOCORD)	1.5	U	C
30	00001304860	TRESSE VERRE D7 (THERMOCORD)	0.05	U	C
31	00001305426	TRESSE VERRE DIAM. 11,5MM +- 1	2.1	U	C
32	18148388108053	POIGNEE FOYER 388108 ANTH	1		
33	00001307770	GANT BOUCLETTE 4700 TAILLE 10	1		C
34	14101372001	CLE A CROCHET 3720 EBARBE	1		C
35	10215388108053	GRILLE BOIS 388108 ANTH	1	U	C
36	00001301784	RONDELLE ACIER 14X6.3X1.2 BRUT	1		C